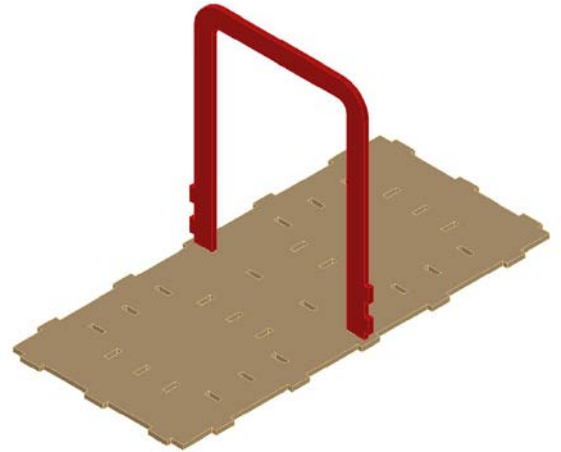


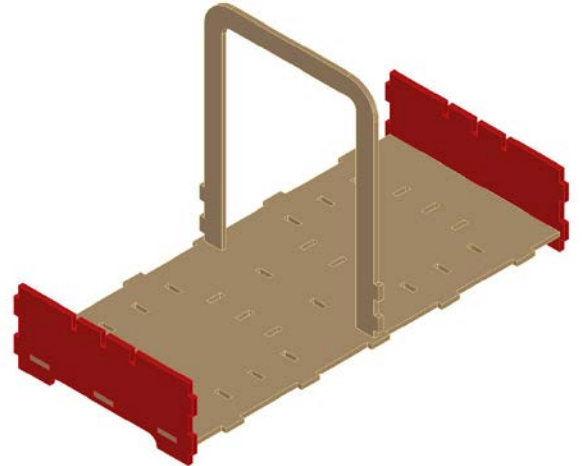


Multi-Purpose Caddy Assembly Guide

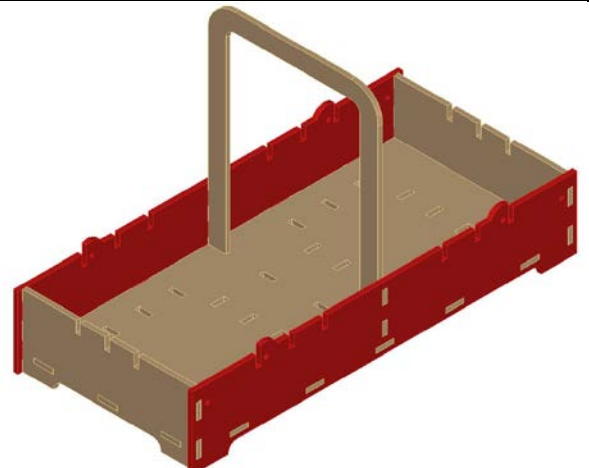
1. For the multi-purpose caddy base, fit and glue the handle to the base as shown.



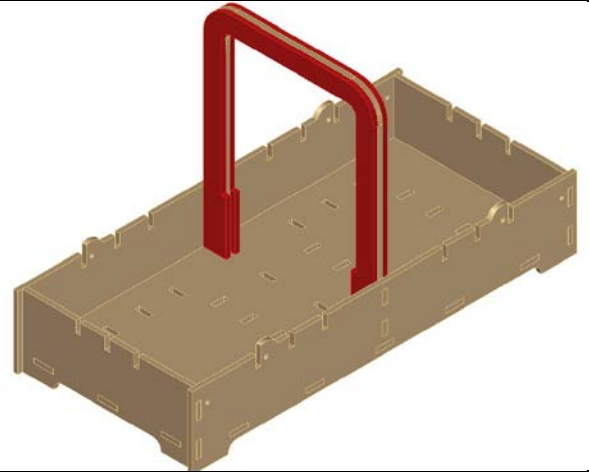
2. Fit and glue the two ends to the base as shown.



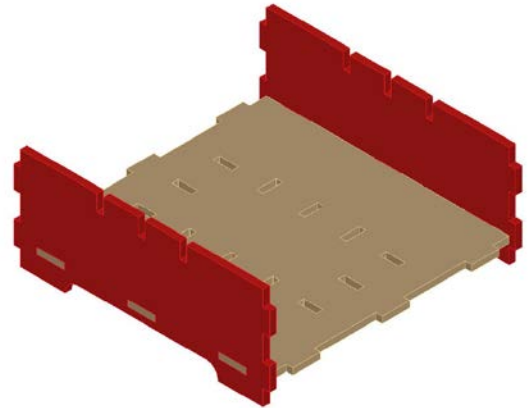
3. Fit and glue the two sides to the ends, base and handle as shown.



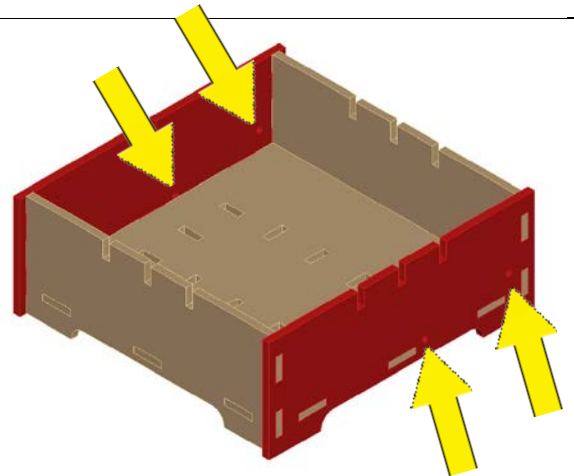
4. Fit and glue the two handle doublers to both sides of the handle as shown.



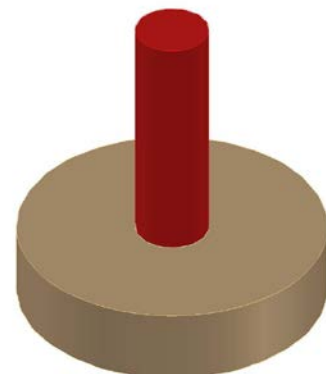
5. For the movable trays, fit and glue the two ends to the base as shown.



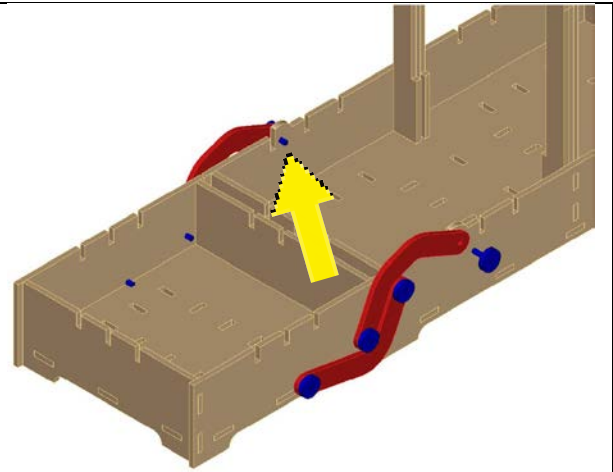
6. Fit and glue the two sides to the tray base and ends as shown, ensure that the pivot arm holes are facing the same direction.



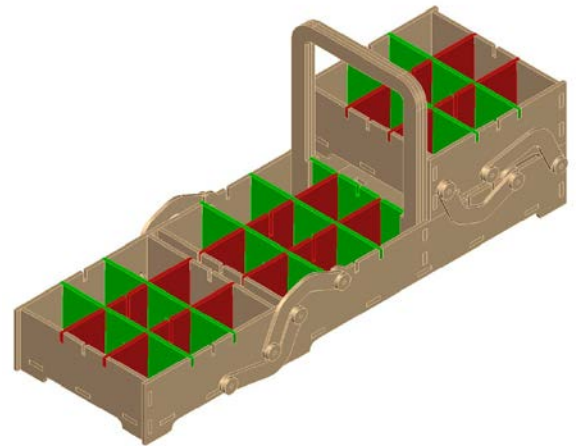
7. To make the retaining pins, cut sixteen (16) ½" long pieces of the included dowel and glue into the ply disks as shown. It is helpful to sand a slight bevel in the end of the pin.



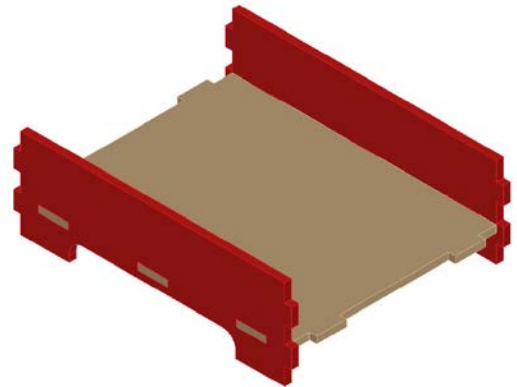
8. Secure the articulation arms to the base tray by pushing the retaining pins through the articulating arms and into the base and tray as shown. The dowels will probably be very snug fit so take your time. Once the pins are inserted check that the tray articulates correctly. Once satisfied that everything is properly fit together and moves correctly, glue the pins to the inside of the tray and base as indicated by the arrow. DO NOT use thin CA to glue the pins in place, use thick CA or epoxy only.



9. Now it's time to configure your multi-purpose caddy. The internal dividers can be arranged in numerous configurations to meet your needs. Begin by inserting the primary dividers (shown in red) and then the secondary dividers (shown in green). DO NOT glue the dividers in unless you want them to be permanently fixed in place.



10. If you purchased the optional auxiliary trays, assemble them by fitting and gluing the ends to the base as shown.



11. Fit and glue the sides to the ends and base as shown. The auxiliary trays fit into the articulated tray as shown below.

